

1

2

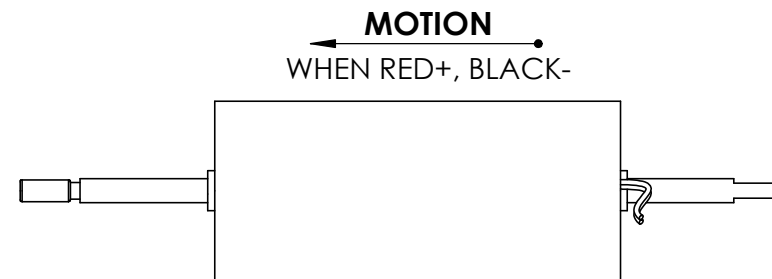
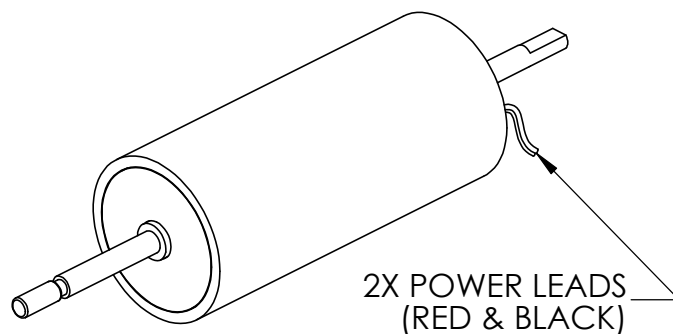
3

4

5

MOVING MAGNET NON-COMM ACTUATOR SPECIFICATIONS

Motor P/N	NCM10-14-028-2BMS	
Stroke	1.00"	25.4 mm
Bearing Type	Plastic Bushings	
Moving Mass	0.23 lbs	106 grams
Total Mass	0.83 lbs	375 grams
Resistance @ 20C	1.9 ohms	
Inductance @ 20C	0.6 mH	
Electrical Time Constant	0.32 msec	
Motor Constant	1.02 LBS/SQRT(Watt)	4.6 N/SQRT(Watt)
Force Constant	1.4 LBS/Amp	6.3 N/Amp
Back EMF	0.16 V/ips	6.3 V/m/sec
Continuous Force	2.8 LBS	12.5 N
Max Power @ 100% Duty	8 Watts	
Peak Force	8.4 LBS	37.4 N
Max Power @ 10% Duty	68 Watts	



A

A

B

B

C

C

D

D



H2W Technologies, Inc.
Santa Clarita, CA 91350 USA
Tel: (661) 291-1620
www.h2wtech.com

These drawings and specifications are the property of H2W Technologies, Inc. They are issued in confidence and shall not be reproduced, copied, or used without written permission from H2W Technologies, Inc.

UNLESS SPECIFIED OTHERWISE:
All dimensions are in inches
Standard Tolerances are as follows
XXX ±.005 ANGLES ±.1°
.XX ±.010 FILLETS .010
.X ±.020 CORNERS .010
Remove All Burrs and Sharp Edges

**FOR
REFERENCE
ONLY**

MATERIAL

FINISH

TITLE

Voice Coil Actuator Model #:
NCM10-14-028-2BMS

DWG # **30-1272**

REV

DATE

11-17-16

SHEET

2 of 2